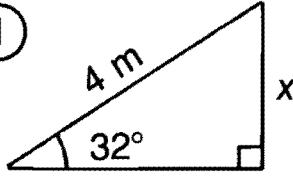
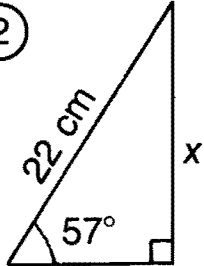


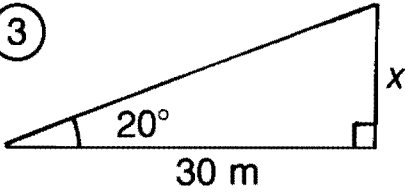
What Do They Call the Big Grass Field on an Orbiting Satellite?

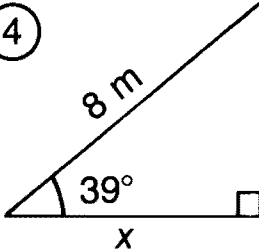
OBJECTIVE 5-c: To use trigonometric ratios to find lengths of sides of right triangles.

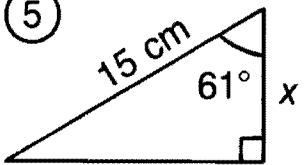
For the first eight exercises, find the length x . For the remaining exercises, find the length needed to solve the problem. Round each answer to the nearest tenth. Cross out each box that contains a correct answer. When you finish, write the letters from the remaining boxes in the spaces at the bottom of the page.

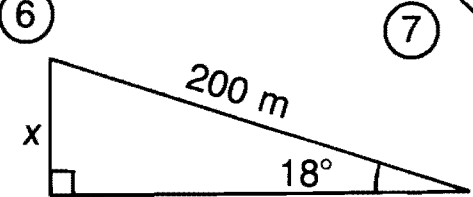
① 

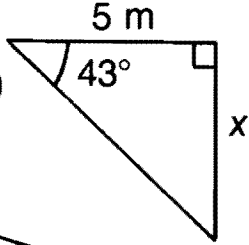
② 

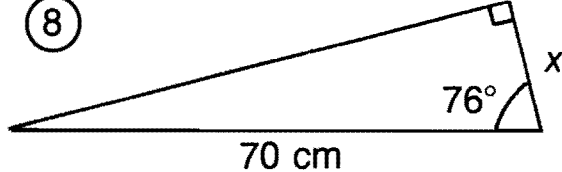
③ 

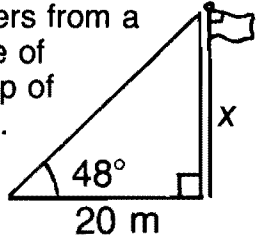
④ 

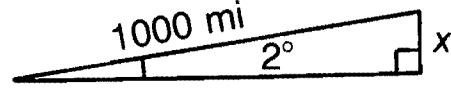
⑤ 

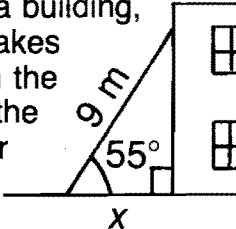
⑥ 

⑦ 

⑧ 

⑨ At a point 20 meters from a flagpole, the angle of elevation of the top of the flagpole is 48° . How tall is the flagpole? 

⑩ If a rocket flies 2° off course for 1000 miles, how far from the correct path will the rocket be? 

⑪ As it leans against a building, a 9-meter ladder makes an angle of 55° with the ground. How far is the bottom of the ladder from the base of the building? 

TH	AP	ET	E	AR	UN	A	KI	SS
4.7 m	5.4 m	5.2 m	2.1 m	23.5 m	6.2 m	22.2 m	28.7 mi	61.8 m
RU	NS	TO	P	UP	A	KY	NI	CE
18.5 cm	3.2 m	7.3 cm	63.6 m	34.9 mi	15.3 cm	10.9 m	16.9 cm	17.1 cm